

# BOXER DAYLIGHT

---

NILA



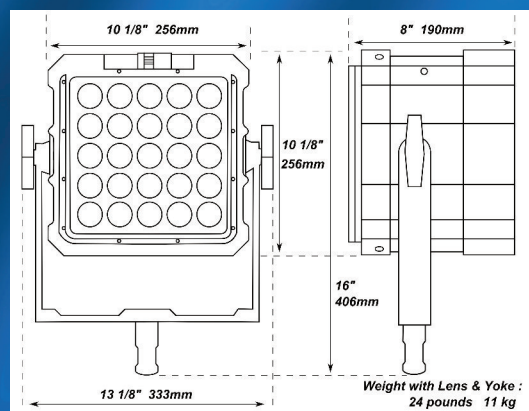
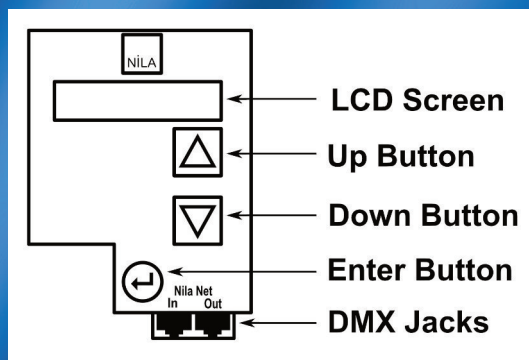
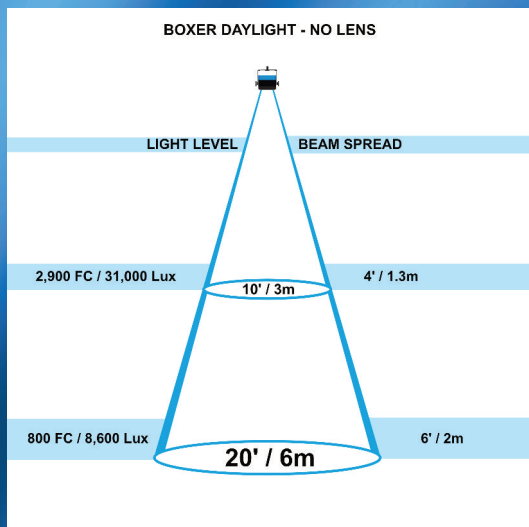
## FEATURES

---

- Daylight Balanced
- Max 200 Watts
- 15,800 Lumen Output
- 10° Native Beam Spread
- Flicker-Free

# BOXER DAYLIGHT

# FIXTURE SPECIFICATIONS



## OUTPUT

light output: 15,800 lumens  
color: 5,600°K  
native beam angle: 10°  
variable beam angle: 10° to 80°  
focus method: holographic film lenses  
UV output: none  
color spectrum: continuous  
CRI: 86 (5,600°K)  
TLCI: 84 (5,600°K)  
dim range: 0-100% (onboard dimmer)  
compatible shutter speeds: all (flicker-free)

## INPUT

input voltage: 100-240V AC, 10-18V DC  
input current: 1.7A at 115V AC  
system watts: 200  
control network: DMX512 with RDM  
control connections: RJ45 (5-pin XLR adapter optional)

## HARDWARE

weight: 24 lbs. (11 kg)  
operating temperature: -22°F to +122°F (-30°C to +50°C)  
housing construction: aluminum  
mounting: yoke (w/junior pin and baby receiver)  
soft box mounts: built in  
light source: high-efficiency LEDs  
LED rated lifespan: 20,000+ hours  
operating position: any  
cooling: passive (no fans)  
power cable: 10' IEC  
power connector: NEMA 5-15P  
certifications: ETL & CE  
country of origin: USA  
warranty period: 2-years



nila.com  
info@nila.tv